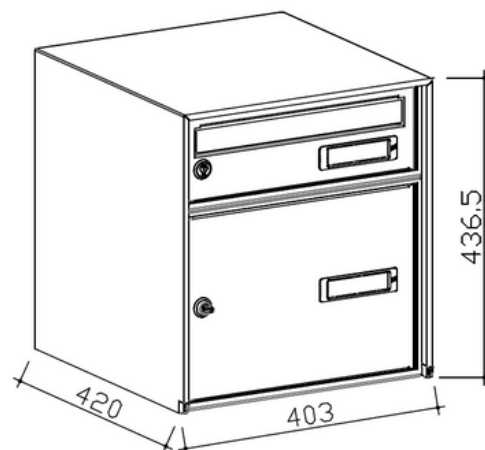


DATA SHEET S-LOCKER PARCEL BOX

S-Locker consists of an SC5 Open Air letterbox and parcel compartment. The magazine format letterbox is equipped with a 335x30 mm slot protected by an inward-opening swing door.

The lower compartment allows the storage of parcels up to a maximum volume 350x320x250 mm, while the exclusive PB Lock guarantees that the parcel can be deposited and then closed by the courier, with no possibility of reopening except with the key supplied. It can be installed on fence or wall mounted, even in several units.



AVAILABLE CODES

Cod. 34-302.72

silver aluminium

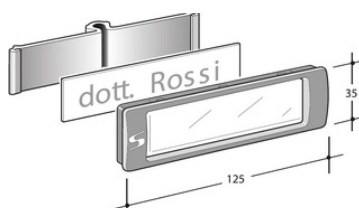
REPLACEMENTS



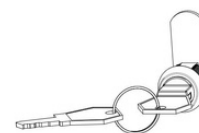
Code 39-030
Chrome-plated brass lock
with safety cylinder.
Duplicable keys



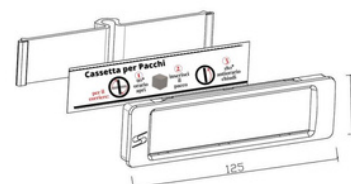
Code 39-031
Pair of numbered keys for
39-030 lock



Code 90-028
Nameplate kit made up of a large
white ASA/L frame, transparent
glass, white label support
(113x25 mm), W/B bicolour PVC
nameplate (113x25 mm) and
nameplate label



Code 90-040
Chrome-plated lock with
innovative keyless
opening/locking system



Code 90-028
Nameplate kit made up of a large
ASA/L frame, transparent glass, white
label support (113x25 mm) and S-
Locker instructions label.