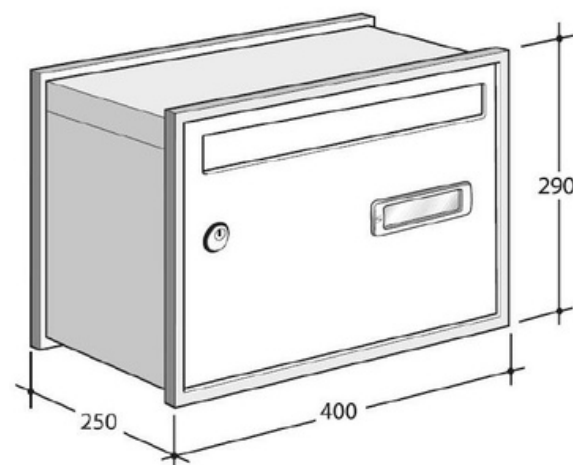


DATA SHEET SC5D OPEN AIR RANGE 32-511

Modular letterbox, measures 400 x 290 x 250 mm, with frontal setting and removal. The compartment is perfectly protected from water and fitted with an internal grille to insulate and protect the contents. Interchangeable, folding door made of 2/10-thick aluminium in standard silver colour, or in a painted colour to be chosen from the range of RAL colours. Fitted with a 335 x 30 mm letterbox protected by a spring-return inward swinging door (outward swinging door on request). Sturdy lock with two keys with the possibility of direct insertion of Kaba and Keso cylinders; interchangeable name holder with PVC plate suitable for engraving the name with pantograph. The peephole is not present to guarantee maximum privacy. Frame in fireproof, non-deformable and UV resistant plastic material.



AVAILABLE CODES



Cod. 32-511.72

silver aluminium door



Cod. 32-511.RAL

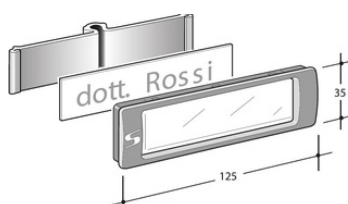
RAL painted door

REPLACEMENTS



Cod. 39-030

Chrome-plated brass lock with safety cylinder. Duplicable key (numbering 1000)

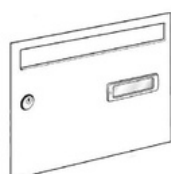


Cod. 90-028

Made up of a large white ASA/L frame, transparent glass, white label support (113x25 mm) W/B bi-colour PVC nameplate (113x25 mm) and nameplate label

Cod. 39-032
key blank

Cod. 39-031
numbered key



Cod. SC5D.OPEN.72 / RAL

Front door (accessories included)

ACCESSORIES

PUBBLICITA'

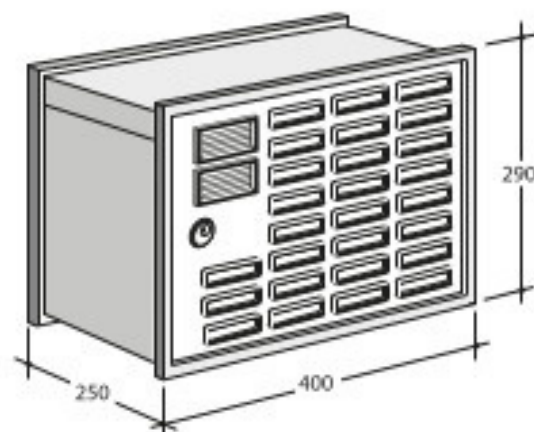

advertising kit

Lock 90-036 + advertising wording

DATA SHEET SC5D OPEN AIR RANGE (PUSH-BUTTON PANEL)

Plate on false aluminium box, measures 400 x 290 x 250 mm without accessories.

It could be customised with buttons and grilles up to a maximum of 30 name buttons or 27 name buttons and 2 grilles. Possibility of inserting a cover hole module for possible camera installation. Available in silver as standard, or in a painted colour to be chosen from the range of RAL colours.



AVAILABLE CODES



Cod. 32-519.72

silver aluminium plate



Cod. 32-519.RAL

RAL painted plate

Magazine-size plate for double push-button panel
(without accessories)

Maximum 30 buttons or 2 grilles and 27 buttons

ACCESSORIES



Cod. 39-030

Chrome-plated brass lock with safety cylinder. Duplicable key (numbering 1000)



Cod. 30-003

Button for bell



Cod. 30-002

Grille for intercom

Intercom not included