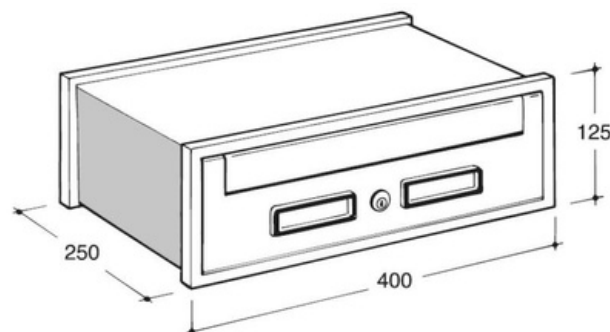


## DATA SHEET SC5 CLASSIC RANGE 30-501

Magazine size modular letterbox, sized 400 x 125 x 250 mm.

Letterbox opening 330 x 20 mm protected by inward swinging door with spring return. Aluminium door equipped with security cylinder lock with two numbered keys, peephole and name plate, interchangeable and made of plastic. In the boxes, the name plate is fitted with a two-colour numbered PVC plate suitable for pantograph incision of the name. The interchangeable door is available in silver as standard, or in a painted colour to be chosen from the range of RAL colours.



### AVAILABLE CODES



Cod. 30-501.72

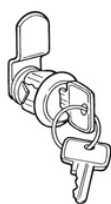
silver aluminium door



Cod. 30-501.RAL

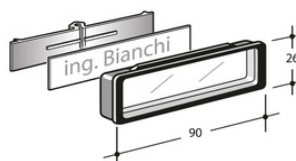
RAL painted door

### REPLACEMENTS



Cod. 90-010

Chrome-plated lock L20mm, with safety cylinder and 2 numbered keys (sheet metal hole diam. 20). Non-duplicable key (numbering 9000)



Cod. 90-026

Made up of a black ABS frame, transparent glass, label support (80x16 mm) W/B bicolour PVC nameplate (84x17 mm) and nameplate label



Cod. 90-015  
key blank



Cod. SC5 .72 / RAL

Front door (accessories included)

### ACCESSORIES

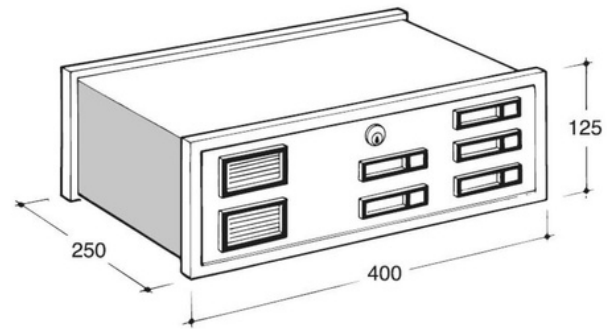
**PUBBLICITA'**  
🔑

advertising kit

Lock 90-036 + advertising wording

## DATA SHEET SC5 CLASSIC RANGE (PUSH-BUTTON PANEL)

Plate on false aluminium box, 400x125x250 mm dimensions, without accessories. Grilles and push-button in interchangeable plastic materials. It could be customised with buttons and grilles up to a maximum of 8 name buttons or 5 name buttons and 2 grilles. Available in silver as standard, or in a painted colour to be chosen from the range of RAL colours.



### AVAILABLE CODES



Cod. 30-511.72

silver aluminium plate

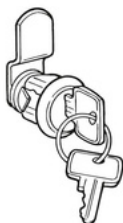


Cod. 30-511.RAL

RAL painted plate

Plate for push-button panel with fix depth  
(without accessories)

Maximum 8 buttons or 2 grilles and 5 buttons



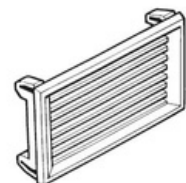
Cod. 90-010

Chrome-plated lock L20mm, with safety cylinder and 2 numbered keys (sheet metal hole diam. 20). Non-duplicable key (numbering 9000)

### ACCESSORIES



Cod. 30-001  
Button for bell



Cod. 30-002  
Grille for intercom

**Intercom not included**