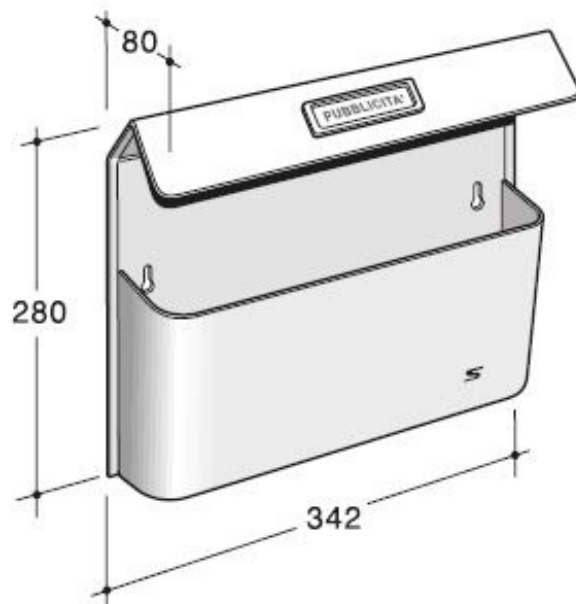


DATA SHEET ADVERTISING HOLDER BIMETAL 41-515

Bimetal advertising holder with roof. Dimensions 342 x 280 x 80 mm. The back is made of aluzink painted in different colours, while the front is made of DTL scratch-resistant stainless.



AVAILABLE CODES



Cod. 41-515.25

decorated stainless steel



Cod. 41-515.84

back in iron grey-coated aluzinc



Cod. 41-515.9001

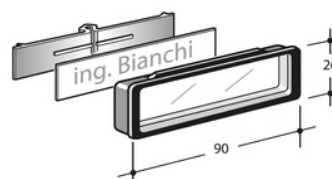
back in Ral 9001 cream-coated aluzinc



Cod. 41-515.9006

back in Ral 9006 grey aluminium-coated aluzinc

REPLACEMENTS



Cod. 90-026

Made up of a black ABS frame, transparent glass, label support (80x16 mm) W/B bicolour PVC nameplate (84x17 mm) and nameplate label