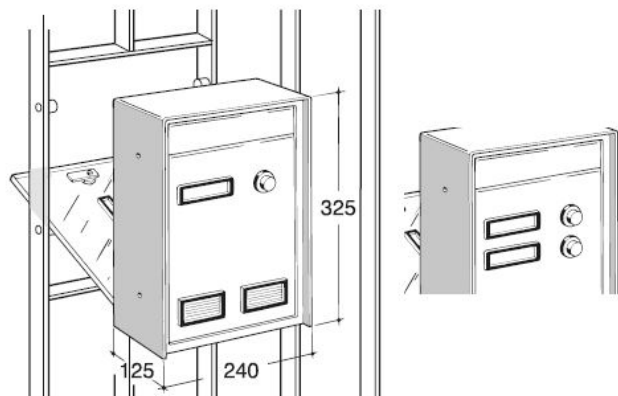


PRODUCT DATA

SCT3 letterbox with entryphone and two bells to install through a fence. Dimensions are 240 x 325 x 125 mm. Produced in silver aluminium. On the upper section there is the letter slot, with dimensions 205 x 20 mm, covered by a spring system closing flap. Buttons and nameplates are provided with a light to make them visible in the dark. On the back there is the retrieval door equipped with interchangeable window / name slots and safety lock with two numbered keys.

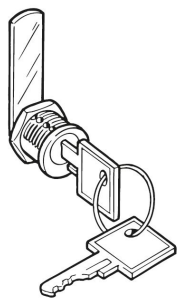


Available codes

Cod. 20-382.72

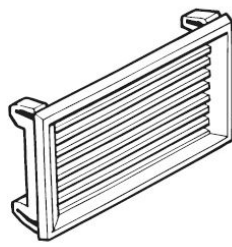
in silver aluminium

Replacements



Cod. 90-020

Lock with two numbered keys
(sheet hole of diam. 15)



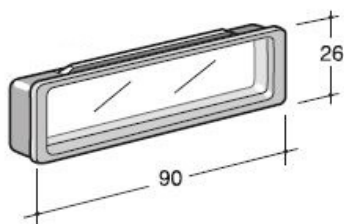
Cod. 30-002

ABS grid for intercom



Cod. 90-030

Button



Cod. 90-001

Window composed by transparent slide,
black frame in ABS 90x26mm
used as peephole or nameplate



Cod. 90-004

Transparent bicolored PVC plate 84x17 mm
for pantograph engraving
(for illuminated intercom)